

GDH Series Purge Assemblies

Conoflow's GDH series purge assemblies consist of a GH21XT series fixed differential pressure regulator piped to a needle valve equipped flow meter.

The fixed differential pressure regulator maintains a constant pressure drop across the flow meter, resulting in consistent flow regardless of downstream pressure fluctuations.

Available in an economical brass construction, or in corrosion resistant stainless steel construction, these products can be used with air, or water at downstream pressures to 100 psig. All purge assemblies are equipped with a plated steel mounting bracket.

Typical applications for these products include purge gas control, depth measurement (using constant bubbling of a dip tube) and water flush systems.



Standard Specifications

Maximum Inlet Pressure:

Brass Models: 200 psi (1380 kPa)

Stainless Models: 300 psi (2070 kPa)

Maximum Outlet Pressure:

100 psi (690 kPa)

Temperature Range:

-20° to 120°F (-18° to 49°C) Air Flow Models
 32° to 120°F (0° to 49°C) Water Flow Models

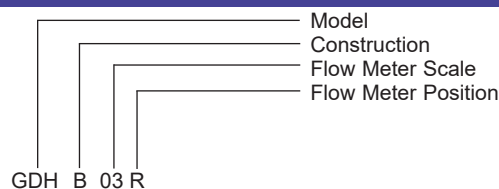
Connections: 1/4" NPT (Inlet and Outlet)

Ordering Sequence — Select desired option for each category

Control Engineering Data is intended to provide a single source from which one can determine, in detail, the full scope of the product line. Operating principles are found in the instruction manual. Control Engineering Data also provides a means of communicating, by way of a code number, which is fully descriptive of the product selection.

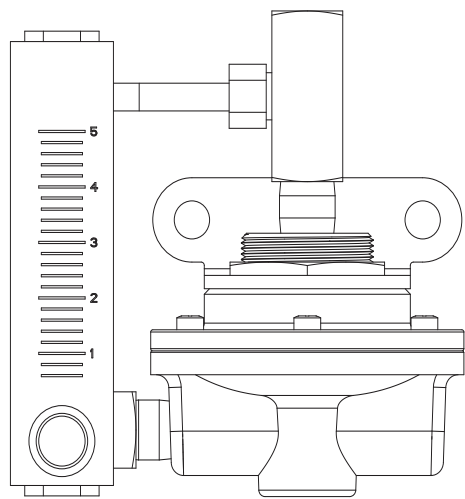
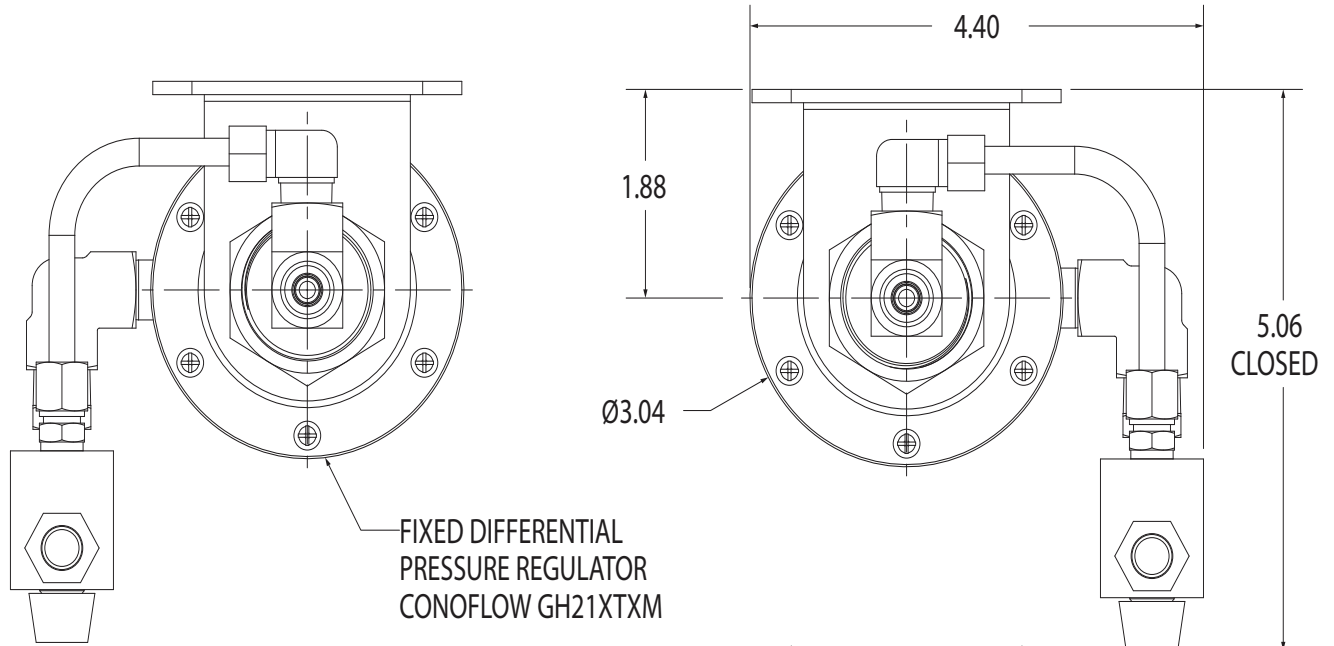
1 - 3	GDH	
4	B	Brass – uses GH21XTXMXM Regulator, Brass Fittings, Copper Tubing
	S	Stainless Steel – uses GH21XTXKXK Regulator, Stainless Fittings and Tubing
5-6	01	0.1 to 1 SCFH Air
	02	0.2 to 2 SCFH Air
	03	0.6 to 5 SCFH Air
	04	1.0 to 10 SCFH Air
	41	0.6 to 5 GPH Water
	42	2.0 to 10 GPH Water
7	L	Meter on left (regulator inlet port on right)
	R	Meter on right (regulator inlet port on left)

Example

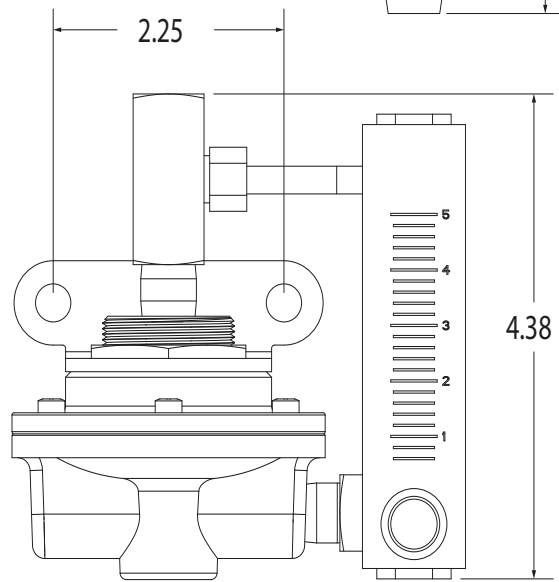


GDH Series

Dimensional Views



GDHB_L (METER ON LEFT)

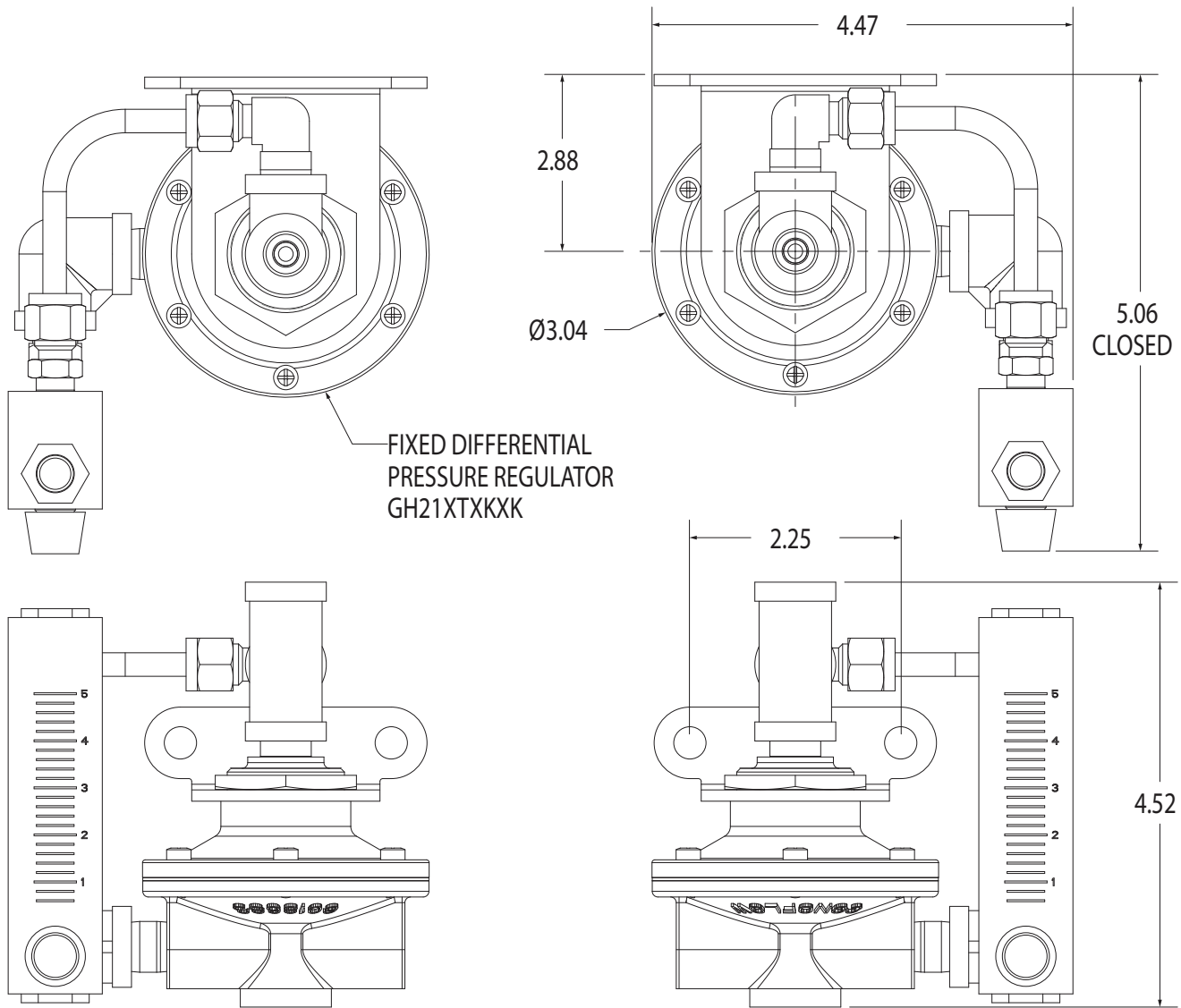


GDHB_R (METER ON RIGHT)

GDH Purge Assembly in Brass Construction – Approximate Dimensions in Inches

GDH Series

Dimensional Views



GDHS_L (METER ON LEFT)

GDHS_R (METER ON RIGHT)

GDH Purge Assembly in Stainless Steel Construction – Approximate Dimensions in Inches

GDH Series

Schematic

