

# Conoflow

105 Commerce Way  
Westminster, SC 29693  
Tel: (864) 647-9521  
Fax: (864) 647-9574  
www.conoflow.com

**WARNING**  
Conoflow's products are designed and manufactured using materials and workmanship required to meet applicable standards. The use of these products should be confined to services specified and/or recommended in the Conoflow catalogs, instructions, or by Conoflow application engineers.

To avoid personal injury or equipment damage resulting from misuse or misapplication of a product, it is necessary to select the proper materials of construction and pressure-temperature ratings which are consistent with performance requirements.

## INSTRUCTION AND MAINTENANCE MANUAL GDH Series Purge Assemblies

**INTRODUCTION:** The GDH series Purge Assembly consists of a GH21XT fixed differential pressure regulator piped to a flow meter. The fixed differential pressure regulator provides approximately 3 psid across the flow meter to allow the flow meter's integral needle valve to provide regulated flow, regardless of system pressure fluctuation.

**CONNECTIONS:** The GDH Purge Assembly uses 1/4-18 NPT connections for the supply connection to the inlet port of the fixed differential pressure regulator, and the regulated outlet Teed into the top of the fixed differential pressure regulator.

**SPECIFICATIONS:** Max Inlet Pressure: 200 psig (1380 kPa) – Brass GDH                      300 psig (2070 kPa) – Stainless GDH  
Max Outlet Pressure: 100 psig  
Temperature Range: -20° F to 120 °F (-18 to 49 °C) – Air  
32 °F to 120 °F (0 to 49 °C) - Water

**MOUNTING:** The GDH Purge Assembly may be pipe mounted, or wall mounted with 5/16" bolting using the supplied bracket.

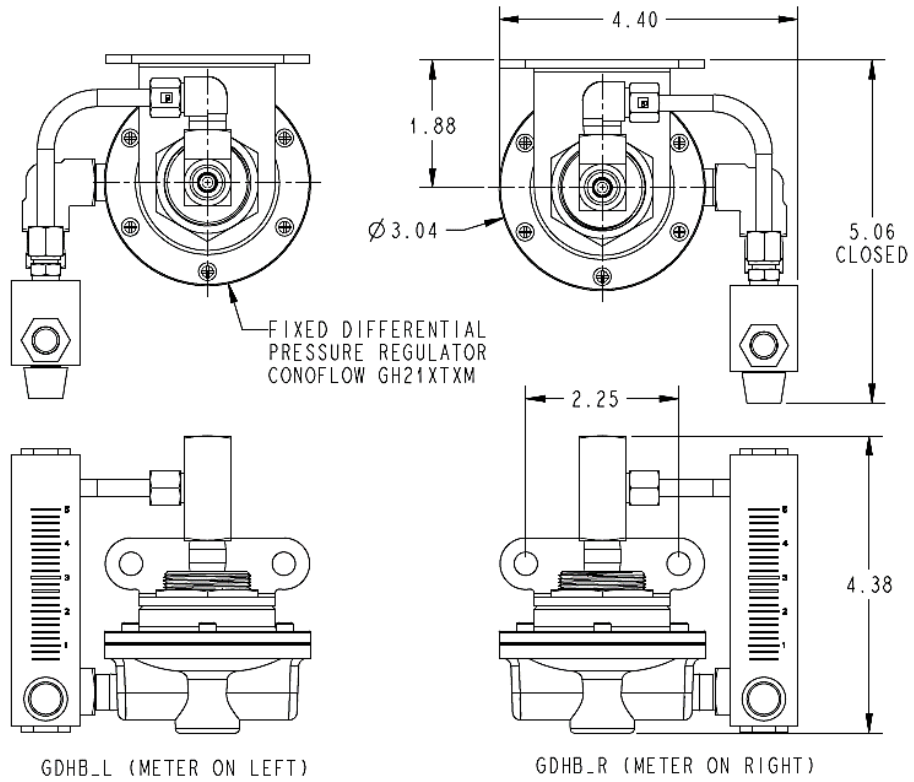
### MATERIALS OF CONSTRUCTION:

**Brass GDH:**           Wetted : Brass, Copper, Aluminum, Stainless Steel, Buna-N rubber, Acrylic Plastic  
                                  External: Brass, Copper, Stainless Steel, Plated Steel, Acrylic Plastic  
**Stainless GDH:**   Wetted: Stainless Steel, PTFE Teflon, Viton Rubber, Acrylic Plastic  
                                  External: Stainless Steel, Plated Steel

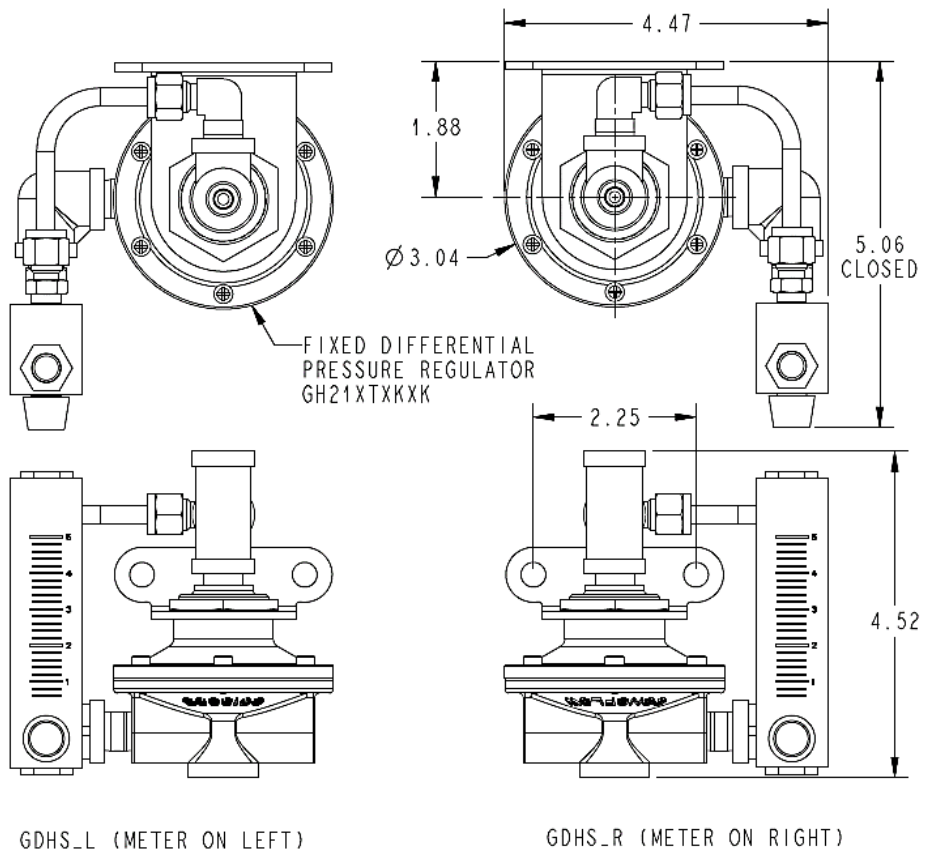
### CED Code (Part Number Breakdown)

1-3 Model	GDH
4 Construction	B = Brass – uses GH21XTXMXM Regulator, Brass Fittings, Copper Tubing S = Stainless Steel – uses GH21XTXKXK Regulator, Stainless Fittings and Tubing
5-6 Flow Meter Scale	01 = 0.1 to 1 SCFH Air 02 = 0.2 to 2 SCFH Air 03 = 0.6 to 5 SCFH Air 04 = 1.0 to 10 SCFH Air 41 = 0.6 to 5 GPH Water 42 = 2.0 to 10 GPH Water
7 Flow Meter Position	L = Meter on left (regulator inlet port on right) R = Meter on right (regulator inlet port on left)

### GEOMETRY - DIMENSIONS (IN INCH)



GDH Purge Assembly in Brass Construction



GDH Purge Assembly in Stainless Steel Construction