

Model 600B

Diaphragm Seals for Flanged Off-Line Process Connections 2" (50.80mm) and Larger

Process Connection Sizes

2" and 3"
ASME/ANSI Flange Ratings Up to 2500#.

Maximum Working Pressure

Conforms to Flange Pressure-Temperature Ratings per ASME/ANSI B16.5

Flange Faces (125 - 250 R_A Spiral Finish is Standard)

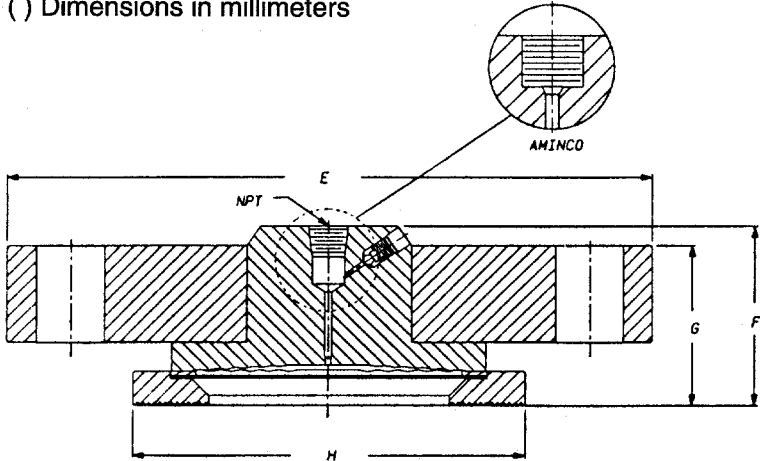
Raised Face, Flat Face, Ring Type Joint, Special Flange Faces are available, Consult the Factory

Dimensional Data

Process Connection Sizes

		2"	3"
150#	E	6.00 (152)	7.50 (191)
	F	2.63 (67)	2.32 (59)
	G	1.82 (46)	1.70 (43)
	H	3.62 (92)	5.00 (127)
300#	E	6.50 (165)	2.32 (59)
	F	2.76 (70)	1.88 (48)
	G	2.07 (53)	5.00 (127)
	H	3.62 (92)	

() Dimensions in millimeters



Standard Features and Options

This flanged connection, off-line seal has a diaphragm welded to the upper housing. This design allows for the use of diaphragm materials that are of a weldable grade. The displacement capability of this series of diaphragm seal is 0.25 cubic inches utilizing a 4.0" (101.60 MPa) diameter diaphragm. Designed for sealed systems requiring low sensitivity to thermal expansion and contraction of fill fluid. This seal provides greater accuracy when higher volumetric displacements are required.

These seals are designed for direct connection to standard ASME/ANSI flanges in 2" (50.80mm) and 3" (76.20mm) sizes and up to 2500# ratings. Larger sizes are available upon request.

Due to the material strength of non-metallics, the maximum pressure and temperature rating for this series seal is 200 PSIG (1.38 MPa) at 140°F (60°C), when non-metallic lowers are required. Flushing connections in metallic lowers are optional. The seal-off feature is standard.

Standard instrument connections are 1/4" NPTF and 1/2" NPTF with the 1/4" Aminco as an option. The 1/4" Aminco is a straight thread and cone seat style instrument connection that reduces the amount of fill fluid in the body cavity reducing the amount of error caused by thermal expansion and contraction of fill fluid. The 1/4" Aminco instrument connection was originally called the 840B Series.

Offerings

Lower Materials: All metallic and non-metallic (See Note below)

Upper Materials: Carbon Steel or 316 Stainless Steel

Optional materials are Carpenter 20, Titanium and Monel - Refer to Control Engineering Data for Details.

Diaphragm Materials: All metallic

CONTROL ENGINEERING DATA

H2HC9 1 2 HV C 0 0 0 0 N

(15) FILL LIQUID

N = (Standard)

(14) PLATING OPTION

0 = None (Standard)

G = Gold Plating Diaphragm Only (See Note 12)

(13) TEFLON COATINGS (See Note 13)

0 = None (Standard)

A = Teflon Coated Diaphragm Only

B = Teflon Coated Diaphragm and Lower Housing

(12) FUTURE OPTION

0 = Not Applicable

(11) FLUSH CONNECTION (See Note 7) (Not Shown)

0 = None

1 = 1/8" NPTF

2 = 1/4" NPTF

3 = 1/4" NPTF-DUAL

(10) UPPER HOUSING MATERIAL

B = Carbon Steel - N.A.C.E. (No Weld Ring)

F = 316 Stainless Steel - N.A.C.E. (No Weld Ring)

N = Monel - N.A.C.E. (No Weld Ring)

C = Carbon Steel (Standard)

S = 316 Stainless Steel

M = Monel (See Note 6)

2 = Carpenter 20 CB-3 (See Notes 2 and 6)

T = Titanium (See Notes 2 and 6)

(9) SEAL GASKET MATERIAL

0 = None

3 = 316 Stainless Steel - Silver Plated (See Note 5)

B = Buna N

H = Hastelloy C - Silver Plated (See Note 5)

G = Grafoil

T = Teflon (See Note 4)

V = Viton

S = CGR2750 (See Note 3)

(8) SEAL DIAPHRAGM MATERIAL

C = Carpenter 20 CB-3 (See Notes 2 and 6)

H = Hastelloy B3

D = Hastelloy C-276

I = Inconel 600

M = Monel 400 (See Note 6)

N = Nickel 200

J = 316L Stainless Steel (See Note 1)

T = Tantalum (See Note 2)

E = Titanium - Grade 2 (See Notes 2 and 6)

(7) SEAL INSTRUMENT CONNECTION

1 = 1/4" NPTF w/Bleed

2 = 1/2" NPTF W/Bleed

4 = 1/4" AMINCO with bleed (Formerly 840B Series)

(6) SEAL FLANGE PRESSURE RATING (See Note 10)

1 = 150#RF

X = 150#FF

3 = 150#RTJ

4 = 300#RF

W = 300#FF

6 = 300#RTJ

7 = 600#RF

8 = 600#FF

9 = 600#RTJ

A = 900#RF

D = 900#RTJ

B = 1500#RF

E = 1500#RTJ

5 = 2500#RF

F = 2500#RTJ

(5) SEAL PROCESS CONNECTION

9 = 2"

B = 3"

C = 4"

(3-4) LOWER HOUSING MATERIAL (WETTED)

C2 = Carpenter 20 CB-3

CS = Carbon Steel

HB = Hastelloy B3

HC = Hastelloy C-276

I6 = Inconel 600

M4 = Monel 400

N2 = Nickel 200

KN = Kynar

PP = Polypropylene

PV = PVC

S4 = 304 Stainless Steel

S6 = 316 Stainless Steel

SF = 304L Stainless Steel

SL = 316L Stainless Steel

TC = Teflon-Carbon Filled

TG = Teflon-Glass Filled

TI = Titanium - Grade 4

TP = Tantalum Clad (Wetted Surface Only) (See Note 8)

00 = No Lower Housing (Upper Housing Only)

(1-2) DIAPHRAGM SEAL DESIGN

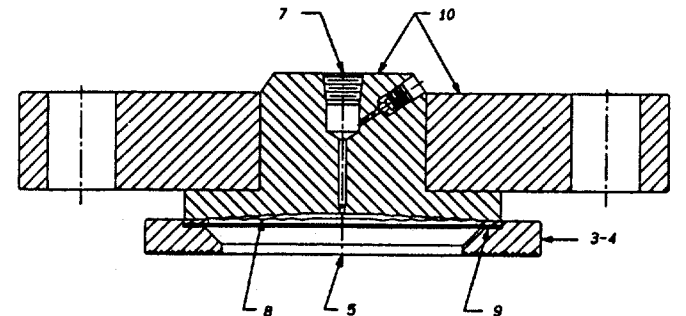
H2 = 600B- Flanged Off-Line

*H3 = 600BR Flanged Off-Line (Ring Type Joint)

*H4 = 600BZ Flanged Off-Line (Customer to Specify Pipe Style)

*For Metallic Lower Housings Only

CATALOG NUMBERS AS RECEIVED
FOR THE 600B SERIES MUST CONTAIN
FIFTEEN (15) CHARACTERS.



Notes:

- Standard diaphragm material is 316L Stainless Steel for seals with lower housing manufactured of CS, S4, S6, SL and SF.
- Standard diaphragm material is Tantalum for seals with lower housing manufactured of C2, TI, PV, TC, PP, KN, TP and TG.
- CGR2750 Gaskets are standard for all seals rated to 300#.
- Standard gasket material for seals with lower housing manufactured of non-metallic material is Teflon.
- 316 Stainless Steel and Hastelloy - Silver Plated gaskets are offered for seals with ratings 600# and higher.
- When a Monel, Carpenter 20 or Titanium diaphragm is chosen in Position 8, then an equivalent upper housing material is required.
- Flushing connections are not available with lower housings manufactured of a non-metallic material.
- Tantalum clad lower housings will be supplied with a raised face - smooth flange face - no serrations. Tantalum plated lowers cannot be supplied with flush connections.
- N.A.C.E. - Welded diaphragm seals with Hastelloy C-276 or Monel wetted materials of construction will meet the requirements of N.A.C.E. International Document MR-0175-1995. 316 Stainless Steel construction will NOT BE offered in a welded design as meeting N.A.C.E. MR-0175-1995 requirements as the weld area of the diaphragm seal will not meet the maximum hardness specifications within this document.
- Refer to Miscellaneous Data Section for Pressure-Temperature Rating Guide.
- Non-metallic lower housings are not available for flange ratings greater than 300#. The maximum temperature and pressure rating for non-metallic lowers is 200 PSIG (1.38 MPa) and 140°F (60°C), regardless of the mating flange size.
- Tantalum and Titanium materials cannot be gold plated.
- Teflon-S® Coating (FEP Grade).

Model 600B

Diaphragm Seals for Flanged Off-Line Process Connections Less than 2" (50.80)

Process Connection Sizes

1/2", 3/4", 1" and 1-1/2"
ASME/ANSI Flange Ratings Up to 2500#.

Maximum Working Pressure

Conforms to Flange Pressure-Temperature Ratings per ASME/ANSI B16.5 (See Notes 6, 7, 8, 10 and 12)

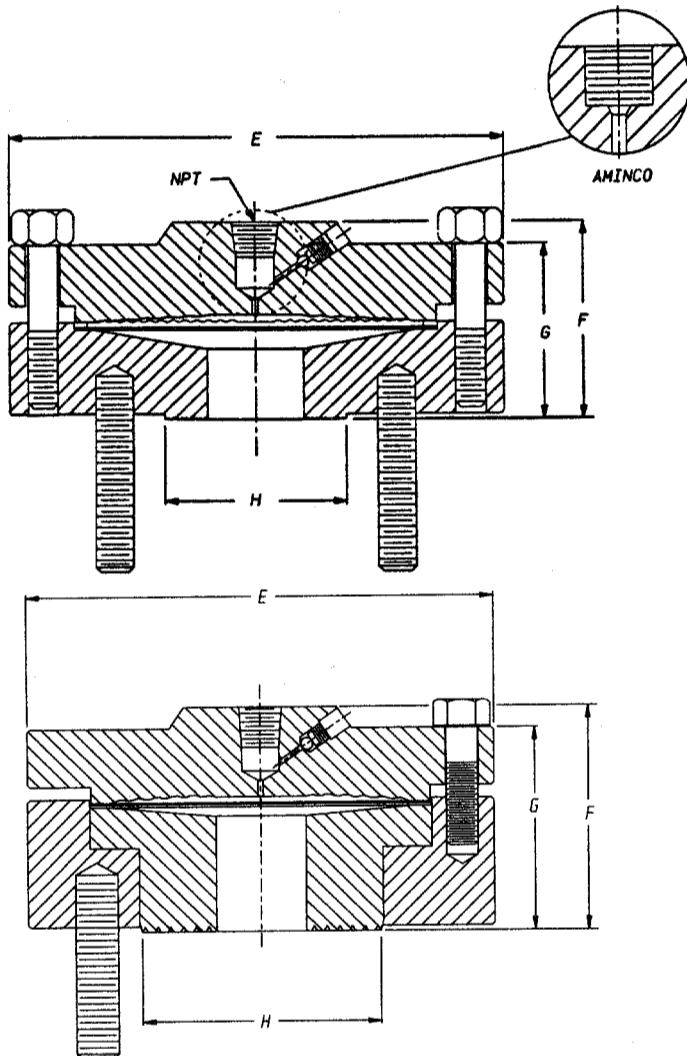
Flange Faces (125 - 250 R_a Spiral Finish is Standard)

Raised Face, Flat Face, Ring Type Joint, Special Flange Faces available, Consult the Factory

Dimensions

		E	F	G	H
150#	1/2"	5.5 (140)	2.25 (57)	2.00 (51)	1.38 (35)
	1"	5.5 (140)	2.25 (57)	2.00 (51)	2.00 (51)
	1-1/2"	5.5 (140)	2.25 (57)	2.00 (51)	2.88 (73)
300#	1/2"	5.5 (140)	2.25 (57)	2.00 (51)	1.38 (35)
	1"	5.5 (140)	2.25 (57)	2.00 (51)	2.00 (51)
	1-1/2"	5.5 (140)	2.25 (57)	2.00 (51)	2.88 (73)

() Dimensions in millimeters



NON-METALLIC LOWER HOUSING

Standard Features and Options

This flanged connection, off-line seal has a diaphragm welded to the upper housing. This design allows for the use diaphragm materials that are of a weldable grade. The displacement capability of this series of diaphragm seal is 0.25 cubic inches utilizing a 4.0" (101.60 mm) diameter diaphragm. Designed for sealed systems requiring low sensitivity to thermal expansion and contraction of the fill fluid. This seal provides greater accuracy when higher volumetric displacements are required.

These seals are designed for direct connection to standard ASME/ANSI flanges in 1/2" through 1-1/2" sizes and up to 2500# ratings. The upper housing is bolted to the lower housing with sufficient load to maintain ASME/ANSI B16.5 pressure and temperature ratings (See Notes 6, 7, 8, 10 and 11). Because of the bolt circle location, as defined ASME/ANSI B16.5, threaded flange studs are provided.

Non-metallic lower housings are not available in this size of seal. Flushing connections are optional for metallic lower housings and the seal-off feature is standard.

Due to the material strength of non-metallics, the maximum pressure and temperature rating for this series seal is 200 PSIG (1.38 MPa) at 140°F (60°C), when non-metallic lowers are required (See Note 11). Flushing connections are not available with lower housings manufactured of a non-metallic material.

Flushing connections are optional for metallic lower housings.

The seal off feature is standard for all seals.

Standard instrument connections are 1/4" NPTF and 1/2" NPTF with the 1/4" Aminco as an option. The 1/4" Aminco is a straight thread and cone seat style instrument connection that reduces the amount of fill fluid in the body cavity reducing the amount of error caused by thermal expansion and contraction of fill fluid. The 1/4" Aminco instrument connection was originally called the 840B Series.

Offerings

Lower Materials: All metallic

Upper Materials: Carbon Steel or 316 Stainless Steel

Optional materials are Carpenter 20, Titanium and Monel - Refer to Control Engineering Data for Details.

Diaphragm Materials: All metallic

Bolting: Carbon Steel or 300 Stainless Steel (See Notes 1, 6, 7, 8, 10 and 11)

CONTROL ENGINEERING DATA

H2HC6 4 2 D S C 0 C 0 0 N

(15) FILL LIQUID

N = (Standard)

(14) PLATING OPTION

0 = None (Standard)

G = Gold Plating Diaphragm Only (See Note 13)

(13) TEFLON COATINGS (See Note 14)

0 = None (Standard)

A = Teflon Coated Diaphragm Only

B = Teflon Coated Diaphragm and Lower Housing

(12) BOLTING

0 = None

C = Carbon Steel - Grade 5 (See Note 6)

S = 300 Series Stainless Steel (See Note 7)

H = 300 Series Stainless Steel Hi-Strength (See Note 8)

(11) FLUSH CONNECTION (Not Shown)

0 = None

1 = 1/8" NPTF

2 = 1/4" NPTF

3 = 1/4" NPTF-DUAL

(10) UPPER HOUSING MATERIAL

B = Carbon Steel - N.A.C.E. (No Weld Ring)

F = 316 Stainless Steel - N.A.C.E. (No Weld Ring)

N = Monel - N.A.C.E. (No Weld Ring)

C = Carbon Steel (Standard)

S = 316 Stainless Steel

M = Monel (See Note 5)

2 = Carpenter 20 CB-3 (See Notes 2 and 5)

T = Titanium (See Notes 2 and 5)

(9) SEAL GASKET MATERIAL

0 = Not Applicable

3 = 316 Stainless Steel - Silver Plated (See Note 4)

B = Buna N

H = Hastelloy C - Silver Plated (See Note 4)

G = Grafoil

T = Teflon

V = Viton

S = CGR2750 (See Note 3)

(8) SEAL DIAPHRAGM MATERIAL

C = Carpenter 20 CB-3 (See Notes 2 and 5)

H = Hastelloy B3

D = Hastelloy C-276

I = Inconel 600

M = Monel 400 (See Note 5)

N = Nickel 200

J = 316L Stainless Steel (See Note 1)

T = Tantalum (See Note 2)

E = Titanium - Grade 2 (See Notes 2 and 5)

(7) SEAL INSTRUMENT CONNECTION

1 = 1/4" NPTF w/Bleed

2 = 1/2" NPTF w/Bleed

4 = 1/4" AMINCO with bleed (Formerly 840B Series)

(6) SEAL FLANGE PRESSURE RATING (See Note 10)

1 = 150#RF

X = 150#FF

3 = 150#RTJ

4 = 300#RF

W = 300#FF

6 = 300#RTJ

7 = 600#RF

8 = 600#FF

9 = 600#RTJ

A = 900#RF

D = 900#RTJ

B = 1500#RF

E = 1500#RTJ

5 = 2500#RF

F = 2500#RTJ

(5) SEAL PROCESS CONNECTION

4 = 1/2"

5 = 3/4"

6 = 1"

8 = 1-1/2"

(3-4) LOWER HOUSING MATERIAL (WETTED)

C2 = Carpenter 20 CB-3

CS = Carbon Steel

HB = Hastelloy B3

HC = Hastelloy C-276

I6 = Inconel 600

M4 = Monel 400

N2 = Nickel 200

PP = Polypropylene

PV = PVC

S4 = 304 Stainless Steel

S6 = 316 Stainless Steel

SF = 304L Stainless Steel

SL = 316L Stainless Steel

TC = Teflon-Carbon Filled

TG = Teflon-Glass Filled

TI = Titanium - Grade 4

TP = Tantalum Clad (Wetted Surface Only) (See Note 9)

00 = No Lower Housing (Upper Housing Only)

(1-2) DIAPHRAGM SEAL DESIGN

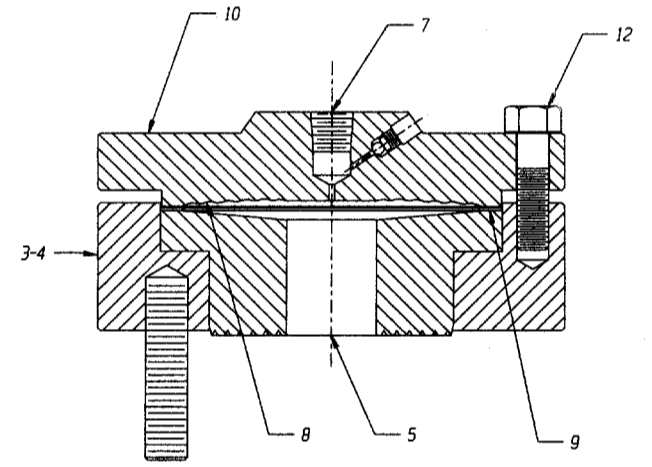
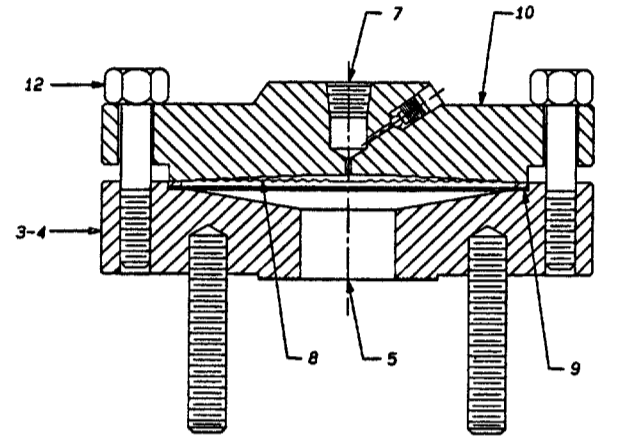
H2 = 600B- Flanged Off-Line

*H3 = 600BR Flanged Off-Line (Ring Type Joint)

*H4 = 600BZ Flanged Off-Line (Customer to Specify Pipe Style)

*For Metallic Lower Housing Only.

CATALOG NUMBERS AS RECEIVED
FOR THE 600B SERIES MUST CONTAIN
FIFTEEN (15) CHARACTERS



NON-METALLIC LOWER HOUSING

Notes:

1. Standard diaphragm material is 316L Stainless Steel for seals with lower housing manufactured of CS, S4, S6, SL and SF.
2. Standard diaphragm material is Tantalum for seals with lower housing manufactured of C2, TI, PV, TC, PP, KN, TP and TG.

3. CGR2750 Gaskets are standard for all seals rated to 300# (2.07 MPa).

4. 316 Stainless Steel and Hastelloy - Silver Plated gaskets are offered for seals with ratings 600# and higher.

5. When a Monel, Carpenter 20 or Titanium diaphragm is chosen in Position 8, then an equivalent upper housing material is required.

6. Using Grade 5 bolts will maintain the pressure rating chosen in Position 6.

7. When using 300 Series Stainless Steel bolts, the pressure rating specified in Option 6 will be reduced by 50% when the seal flange rating is 600# or higher.

8. Flange ratings 600# and higher will be supplied with high-strength stainless steel bolting to maintain ASME/ANSI pressure rating when 300 Series Stainless Steel bolts are required.

9. Tantalum clad lower housings will be supplied with a raised face - smooth flange face - no serrations. Tantalum plated lowers cannot be supplied with flush connections.

10. N.A.C.E. - Welded diaphragm seals with Hastelloy C-276 or Monel wetted materials of construction will meet the requirements of N.A.C.E. International Document MR-0175-1995. 316 Stainless Steel construction will NOT BE offered in a welded design as meeting N.A.C.E. MR-0175-1995 requirements as the weld area of the diaphragm seal will not meet the maximum hardness specifications within this document.

11. Refer to Miscellaneous Data Section for Pressure-Temperature Rating Guide.

12. Non-metallic lower housings are not available for flange ratings greater than 300#. The maximum temperature and pressure rating for this series seal is 200 PSIG (1.38 MPa) at 140°F (60°C) when non-metallic lowers are required.

13. Tantalum and Titanium materials cannot be gold plated.

14. Teflon-S® Coating (FEP Grade).