



ITT

Enidine / Conoflow
105 Commerce Way
Westminster, SC 29693
Tel: (864) 647-9521
Fax: (864) 647-9574

Engineered for life

WARNING

Conoflow's products are designed and manufactured using materials and workmanship required to meet applicable standards. The use of these products should be confined to services specified and/or recommended in the Conoflow catalogs, instructions, or by Conoflow application engineers.

To avoid personal injury or equipment damage resulting from misuse or misapplication of a product, it is necessary to select the proper materials of construction and pressure-temperature ratings which are consistent with performance requirements.

INSTRUCTION AND MAINTENANCE MANUAL GFX02 / GFX04 Air Filters

WARNING: These instructions must be read carefully, prior to installation and startup.

INTRODUCTION

The ITT Conoflow GFX02 / GFX04 air filters provide instrument quality air filtration by directing the supply air through a 35 micron filter.

OPERATION

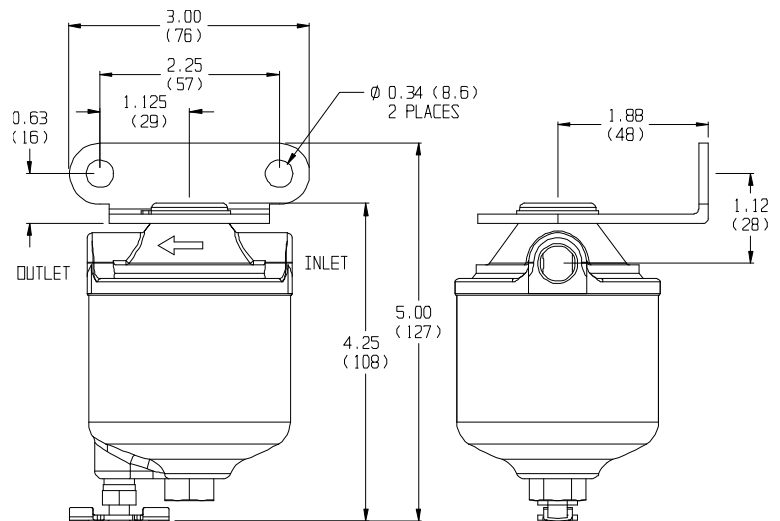
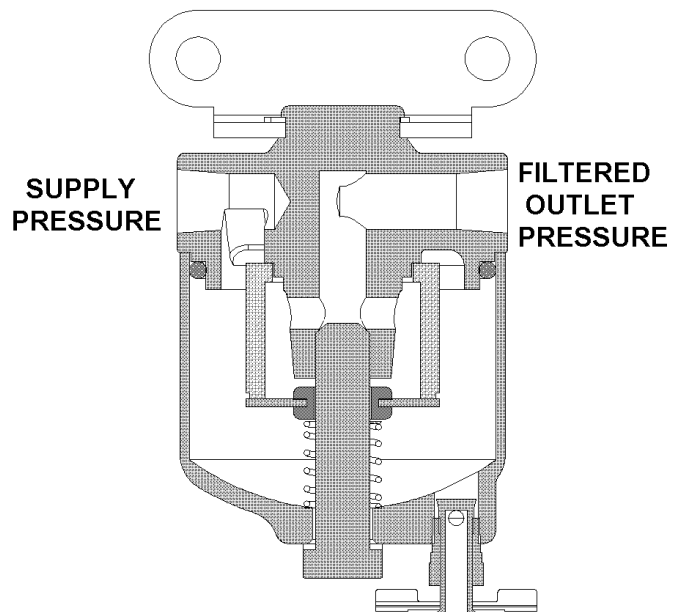
Moisture in the bowl may be drained periodically by opening the draincock.

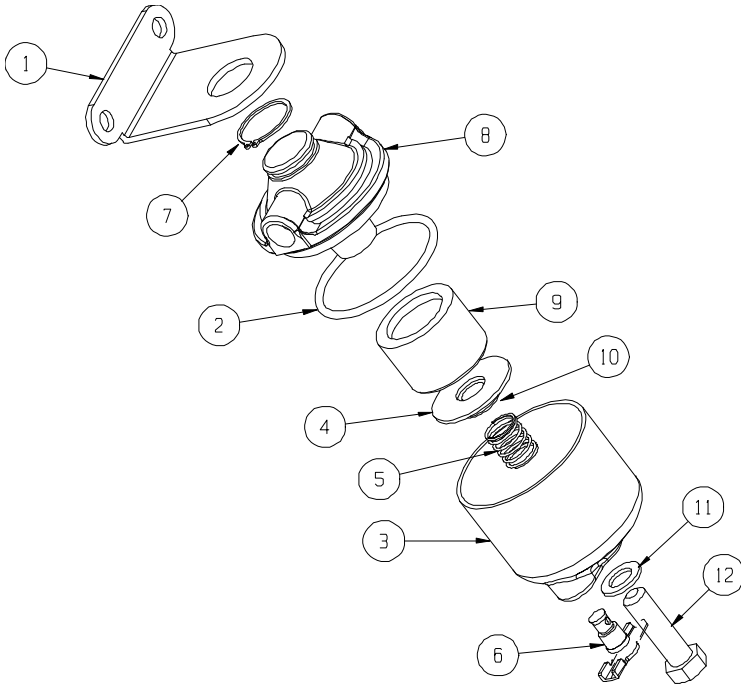
WARNING: Moisture and particulate debris can be discharged at high velocity when opening the draincock under pressure.

INSTALLATION:

WARNING: The maximum inlet (supply) pressure is 300 psi (2068 kPa)

The regulator has two (2) 1/4 npt connections. A directional arrow on the body of the filter indicates the direction of flow. Check all connections for leakage after installation.





MAINTENANCE

WARNING: Remove supply pressure prior to performing maintenance.

To clean or replace filter, remove bolt (12) and slide off bowl (3) and filter plate (4). Clean bowl and internal parts. Reassemble with new filter element (10) and bowl o-ring (2).

At periodic intervals, the bowl should be cleared by opening the draincock. See warning on Page 1.

When reassembling the filter, care must be taken to assure all joints are gasketed and air tight. Hand tighten bolt (12) to 80 in-lbs. If this will not produce tight joints around bowl (3), the o-ring (2) and/or delrin washer (12) must be replaced.

Catalog Part Number Breakdown (Control Engineering Data or CED Codes) for the GFX02 and GFX04 Filters

Character Position	Feature by Code Character
1-5 Model	GFX02 = Brass Filter Construction GFX04 = Aluminum Filter Construction
6 – Element Options	A = Filter – Cellulose (10 micron) B = Filter – Stainless Steel (40 micron, oxygen clean) C = Filter – Stainless Steel X = Filter – Standard (Polypropylene 35 micron)
7 – Mounting Options	R = Mounting Bracket X = Standard (No Bracket)

Recommended spare parts can be purchased individually or as a spare parts kit under p/n G6385362 Spare Parts Kit – GFX02/04.

This kit consists of o-ring (item 2), standard filter (item 9 / code X) and washer (item 11).

Parts list by model and option

Item	Description	Qty Req'd	Part Number
1	Mounting Bracket (Code R)	1	G6018014
2	O-ring	1	G6077150
3	Bowl (Brass GFX04) Bowl (Alum. GFX02)	1 1	G6385363 G6385389
4	Filter Plate (Brass GFX04) Filter Plate (Alum GFX02)	1 1	G6385081 G6385478
5	Filter Spring	1	G6385082
6	Draincock	1	G6384623
7	Retaining Ring (Code R)	1	G6076087
8	Body (Brass GFX04) Body (Alum. GFX02)	1 1	G6385535 G6385536
9	Filter (Std Code X) Filter (Cellulose Code A) Filter (Stainless Codes B/C)	1 1 1	G6385341 G6077663 G6078216
10	Grommet	1	G6385053
11	Delrin Washer	1	G6385085
12	Bolt	1	G6900565