

ACCESSORIES

NIPPLES

ITT Conoflow offers nipples as spare parts. For proper ordering information, refer to Table II and schematic below.

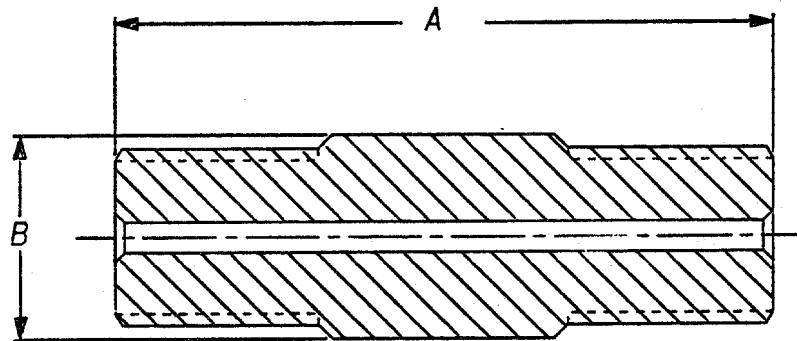


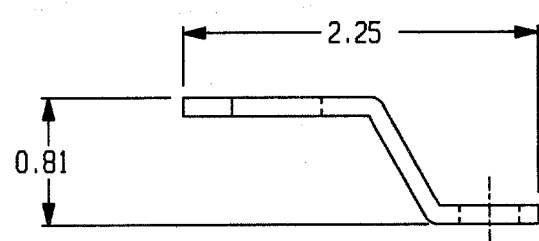
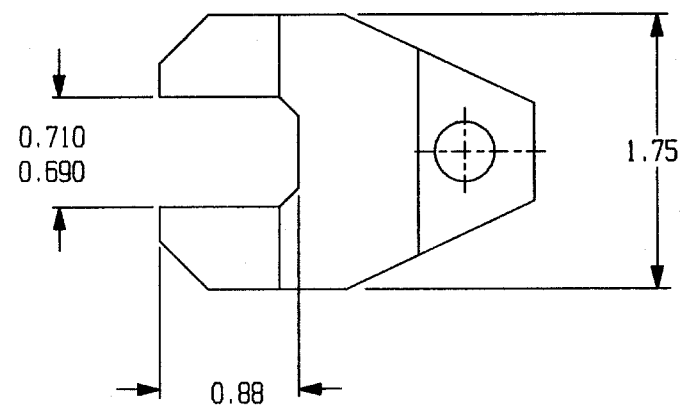
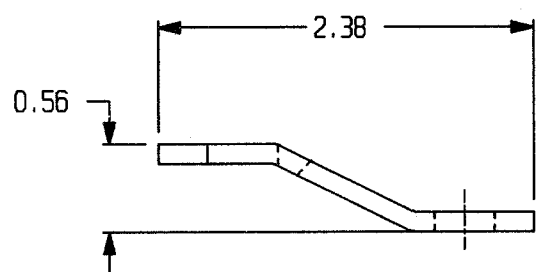
Table II (See Note 1)

NIPPLES - 300 SERIES STAINLESS STEEL				
NIPPLE LENGTH	THREAD SIZE (NPTF)	DIMENSION "A"	DIMENSION "B"	PART NUMBER
2"	1/4" x 1/4"	2"	0.625"	580240S6
2"	1/2" x 1/2"	2"	0.875"	580252S6
2"	1/4" x 1/2"	2"	0.875"	580258S6
4"	1/4" x 1/4"	4"	0.625"	580266S6
4"	1/2" x 1/2"	4"	0.840"	580257S6
4"	1/4" x 1/2"	4"	0.840"	580364S6

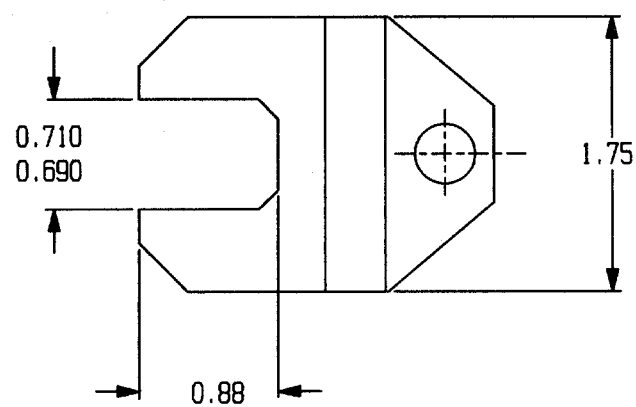
GAUGE KEEPERS:

Note: Order under part number shown.

100A SERIES 580280SF GAUGE KEEPER



300A SERIES 580281SF GAUGE KEEPER



FILL ADAPTORS

ITT Conoflow offers fill adaptors for field filling of diaphragm seals. For proper ordering information, refer to Table III and schematic below.

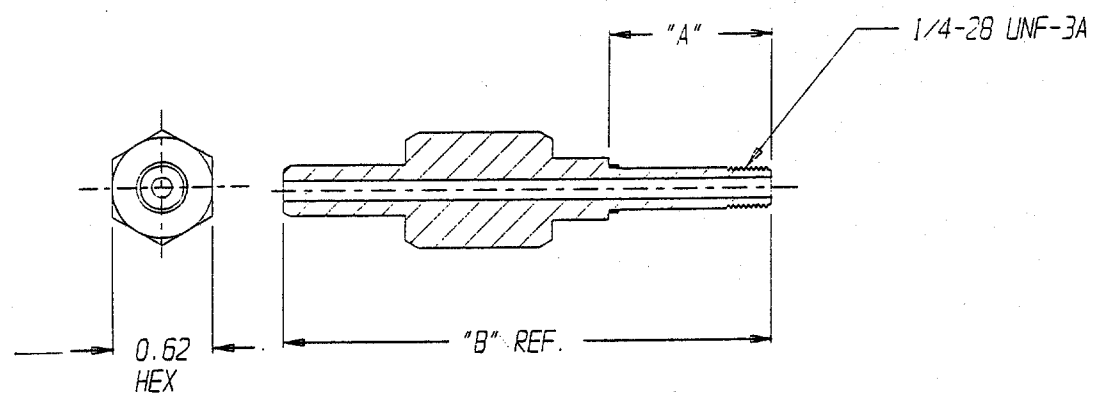


Table III

FILL ADAPTOR - 316 STAINLESS STEEL			
PRODUCT TYPE	DIMENSION		PART NUMBER
	"A"	"B"	
Aminco Instrument Connection Insert Type "B" Series Seals	1.019"	3.049"	580212S6
1/4" - 1/2" NPT Instrument Connection 100 / 140 / 300 / 600 / 700 Series Seals All Variations	0.502"	2.532"	580213S6
Aminco Instrument Connection Tall Insert Type "B" Series Seals	2.132"	4.162"	580214S6

600A SERIES 580287SF GAUGE KEEPER

